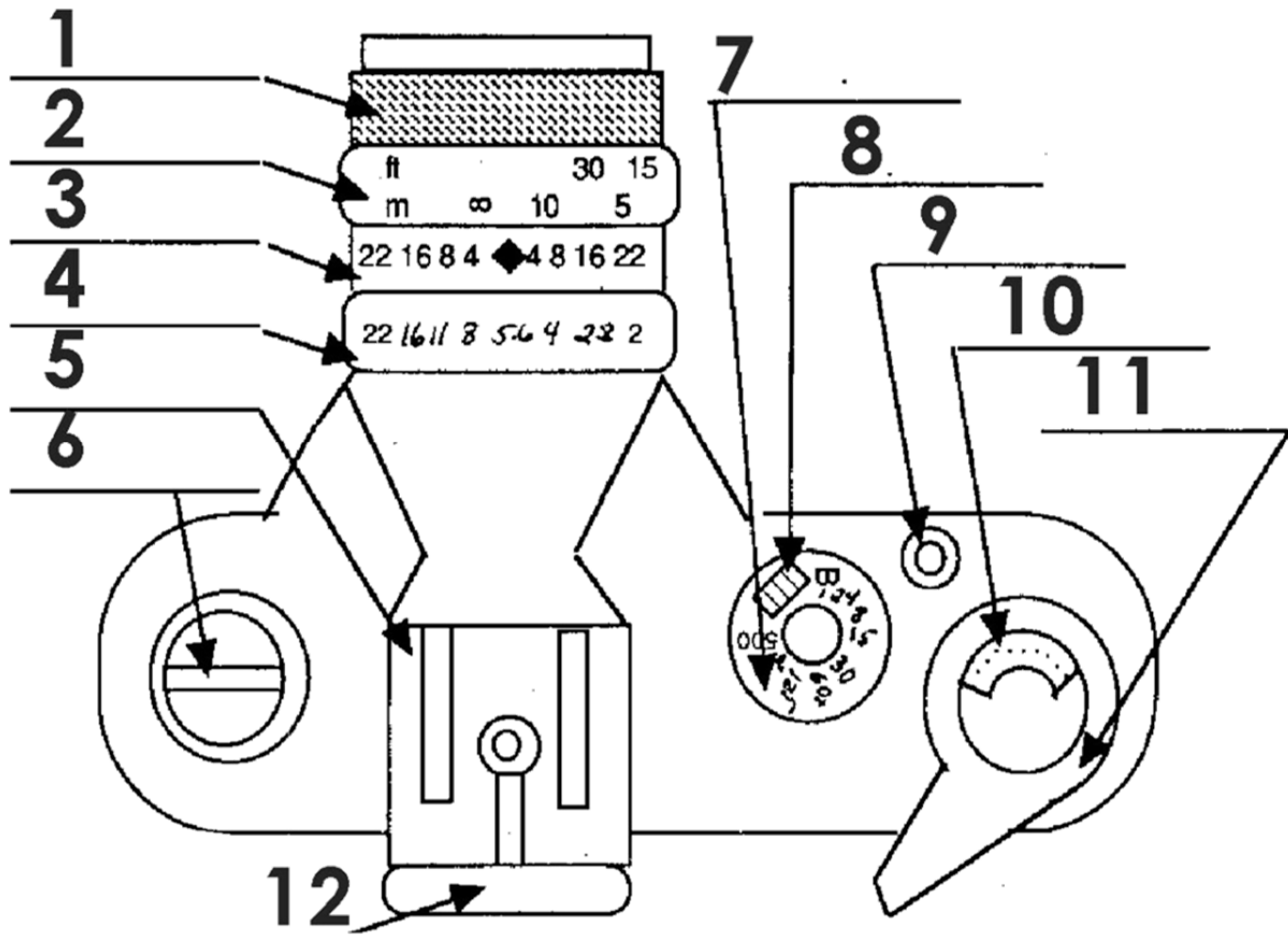


Name: _____

Period: _____

Camera Parts and Function (Manual SLR camera) – Worksheet 2

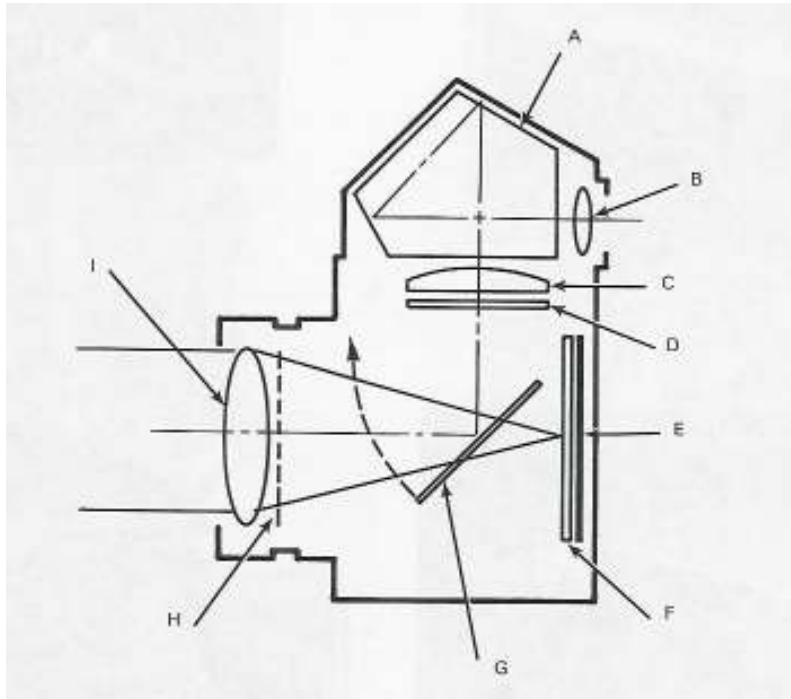


Name _____

Class Period _____

Basic Parts of an SLR Camera

Use the diagram to fill in the spaces below it with the proper terms for the parts of a camera.



A. _____

B. _____

C. _____

D. _____

E. _____

F. _____

G. _____

H. _____

I. _____

DSLR



